

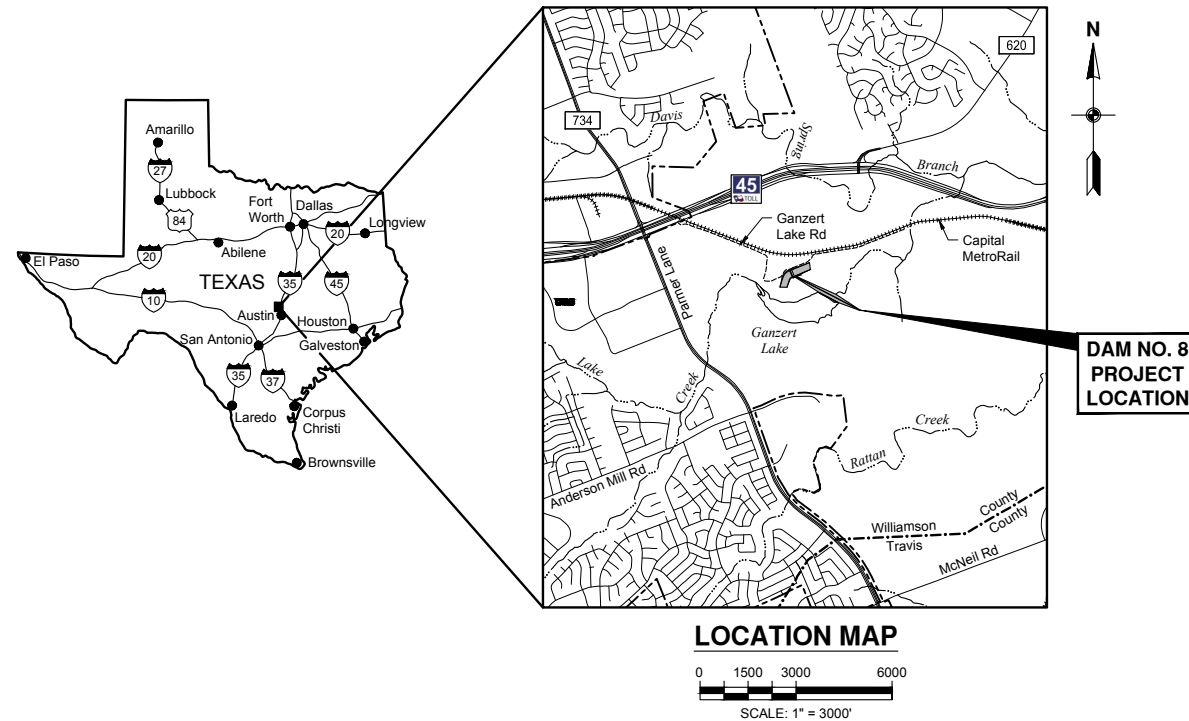
SPONSOR: UPPER BRUSHY CREEK WATER
CONTROL AND IMPROVEMENT DISTRICT
CONTACT: GREGOR A. FORBES, PMP
MANAGER CAPITAL IMPROVEMENT PROGRAM
460 TEXAS AVENUE
ROUND ROCK, TX 78664
(512) 284-7685

Upper Brushy Creek Water Control and Improvement District



Upper Brushy Creek WCID
460 Texas Avenue
Round Rock, Texas 78664
(512) 284-7685

FLOOD PREVENTION DAM NO. 8 (TX01368) PERMANENT FENCING WILLIAMSON COUNTY, TEXAS MAY 2021



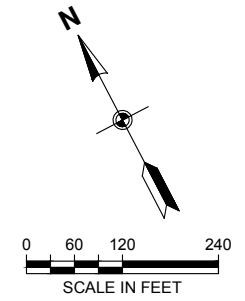
SHEET INDEX	
SHEET NO.	SHEET TITLE
1	COVER SHEET
2	FENCING PLAN SHEET 1 OF 2
3	FENCING PLAN SHEET 2 OF 2
4	FENCE DETAILS
5	SECTIONS AND DETAILS



AECOM Technical Services, Inc.
9400 Amberglen Blvd
Austin, Texas 78729
www.aecom.com
TBPE Reg. No. F-3580

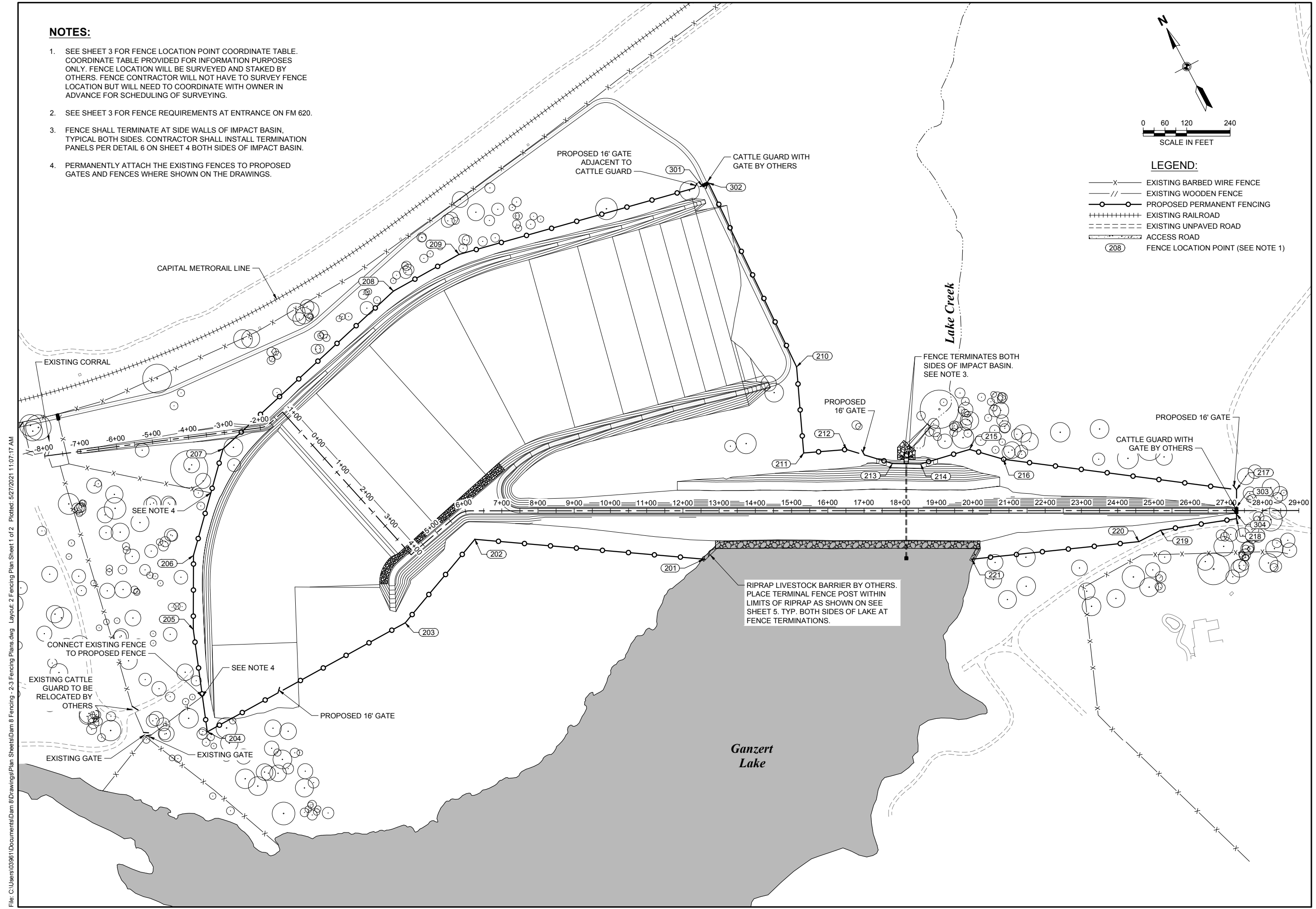
NOTES:

- SEE SHEET 3 FOR FENCE LOCATION POINT COORDINATE TABLE. COORDINATE TABLE PROVIDED FOR INFORMATION PURPOSES ONLY. FENCE LOCATION WILL BE SURVEYED AND STAKED BY OTHERS. FENCE CONTRACTOR WILL NOT HAVE TO SURVEY FENCE LOCATION BUT WILL NEED TO COORDINATE WITH OWNER IN ADVANCE FOR SCHEDULING OF SURVEYING.
- SEE SHEET 3 FOR FENCE REQUIREMENTS AT ENTRANCE ON FM 620.
- FENCE SHALL TERMINATE AT SIDE WALLS OF IMPACT BASIN, TYPICAL BOTH SIDES. CONTRACTOR SHALL INSTALL TERMINATION PANELS PER DETAIL 6 ON SHEET 4 BOTH SIDES OF IMPACT BASIN.
- PERMANENTLY ATTACH THE EXISTING FENCES TO PROPOSED GATES AND FENCES WHERE SHOWN ON THE DRAWINGS.



LEGEND:

- X— EXISTING BARBED WIRE FENCE
- //— EXISTING WOODEN FENCE
- PROPOSED PERMANENT FENCING
- +++++ EXISTING RAILROAD
- - - - - EXISTING UNPAVED ROAD
- ==== ACCESS ROAD
- (208) FENCE LOCATION POINT (SEE NOTE 1)



File: C:\Users\03961\Documents\Dam 8 Drawings\Plan Sheets\Dam 8 Fencing - 2-3 Fencing Plans.dwg Layout: 2 Fencing Plan Sheet 1 of 2 Plotted: 5/27/2021 11:07:17 AM

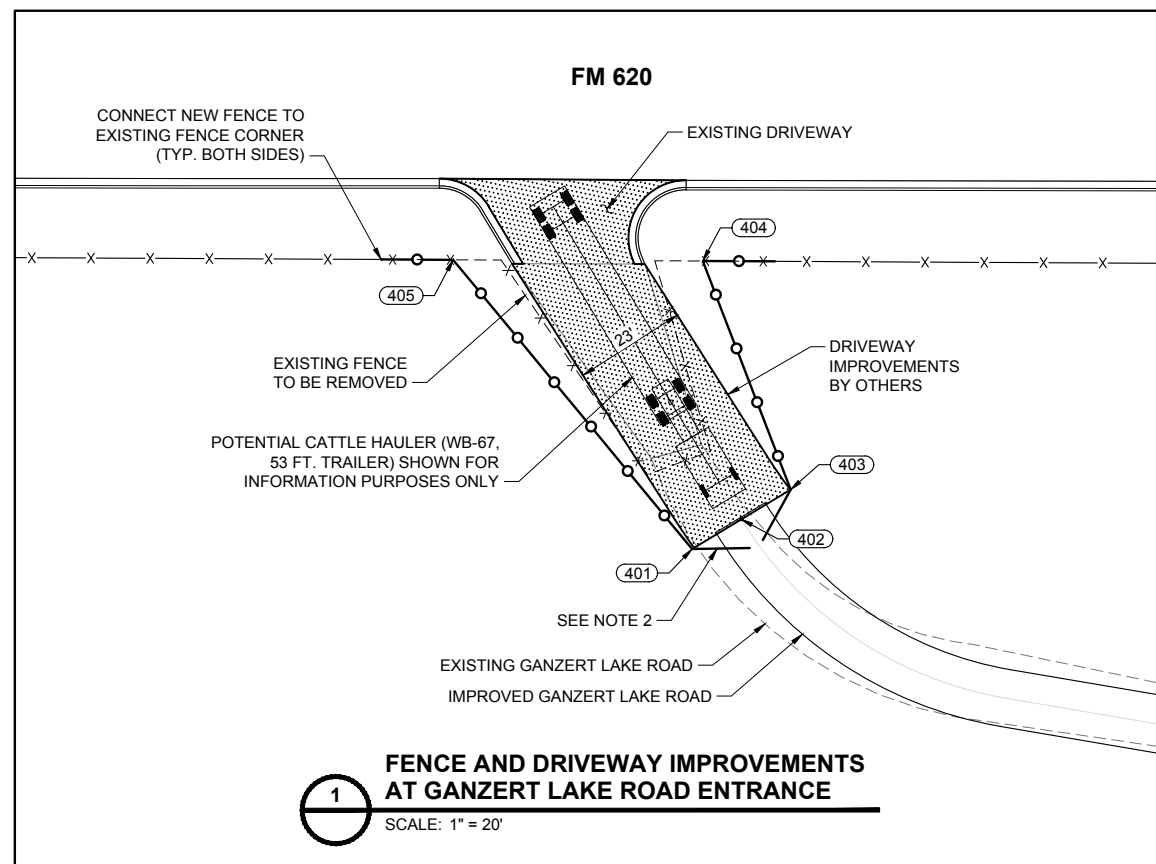
NO.	DATE	DR	CK	DATE	DESCRIPTION

AECOM Technical Services Inc.
 9400 Amberglens Blvd
 Austin, Texas 78729
 www.aecom.com
 TBPE Reg. No. F-35680

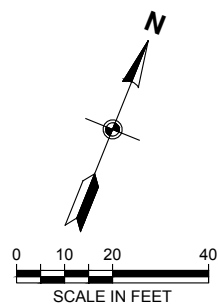
Upper Brushy Creek Water Control and Improvement District
FLOOD PREVENTION DAM NO. 8 PERMANENT FENCING
FENCING PLAN SHEET 1 OF 2

DESIGNED BY:	MJL
DRAWN BY:	CAD
REVIEWED BY:	GAF
APPROVED BY:	MJL
PROJECT NO.:	60642545
DATE:	5/26/2021
SCALE:	AS SHOWN
REVISION:	
SHEET NO.	2 OF 5

File: C:\Users\03961\Documents\Dam 8 Drawings\Plan Sheets\Dam 8 Fencing - 2-3 Fencing Plans.dwg Layout: 3 Fencing Plan Sheet 2 of 2 Plotted: 5/27/2021 11:07:21 AM



1
**FENCE AND DRIVEWAY IMPROVEMENTS
 AT GANZERT LAKE ROAD ENTRANCE**
 SCALE: 1" = 20'



- LEGEND:**
- x- EXISTING BARBED WIRE FENCE
 - // EXISTING WOODEN FENCE
 - x-x- EXISTING FENCE TO BE REMOVED
 - o-o- PROPOSED PERMANENT FENCING
 - +++++ EXISTING RAILROAD
 - - - - EXISTING UNPAVED ROAD
 - ===== ACCESS ROAD
 - (208) FENCE LOCATION POINT (SEE NOTE 1)

FENCING NOTES:

1. FENCE LOCATION POINT COORDINATE TABLE PROVIDED FOR INFORMATION PURPOSES ONLY. FENCE LOCATION WILL BE SURVEYED AND STAKED BY OTHERS. FENCE CONTRACTOR WILL NOT HAVE TO SURVEY FENCE LOCATION BUT WILL NEED TO COORDINATE WITH OWNER IN ADVANCE FOR SCHEDULING OF SURVEYING.
2. INSTALL 2 - 12' WIDE GATES AT ENTRANCE OFF OF FM 620. A CENTER GATE POST (POINT 402) WILL NOT BE INSTALLED UNTIL CONSTRUCTION IS COMPLETE AT THE END OF THE PROJECT. CONTRACTOR SHALL VERIFY LOCATIONS OF POINTS 401, 402, AND 403 TO ENSURE THAT THE GATES AND GATE MOUNTING HARDWARE SELECTED SHALL PROPERLY FIT BETWEEN THE GATE POSTS WITH ADEQUATE CLEARANCES PRIOR TO FABRICATION.

FENCE POINT TABLE			
POINT NO.	NORTHING	EASTING	DESCRIPTION
201	10144396.52	3111065.03	PI FENCE
202	10144737.42	3110529.70	PI FENCE
203	10144621.90	3110252.71	PI FENCE
204	10144607.74	3109629.09	PI FENCE
205	10144875.65	3109725.27	PI FENCE
206	10145057.06	3109820.43	PI FENCE
207	10145280.10	3110028.97	PI FENCE
208	10145448.61	3110647.07	PI FENCE
209	10145454.85	3110854.31	PI FENCE
210	10144748.70	3111537.00	PI FENCE
211	10144529.06	3111444.47	PI FENCE
212	10144483.10	3111553.57	PI FENCE
213	10144390.24	3111648.32	PI FENCE
214	10144352.87	3111716.80	PI FENCE
215	10144326.05	3111855.30	PI FENCE
216	10144258.67	3111925.58	PI FENCE
217	10143886.98	3112457.22	PI FENCE
218	10143816.03	3112420.26	PI FENCE
219	10143884.51	3112219.50	PI FENCE
220	10143884.51	3112151.77	PI FENCE
221	10144054.73	3111720.47	PI FENCE
301	10145312.11	3111536.81	CATTLE GUARD
302	10145311.45	3111556.18	CATTLE GUARD
303	10143844.41	3112435.04	CATTLE GAURD
304	10143827.22	3112426.09	CATTLE GAURD
401	10146522.88	3106778.07	GATE POST
402	10146532.46	3106785.30	GATE POST
403	10146542.04	3106792.53	GATE POST
404	10146579.39	3106757.77	CORNER POST
405	10146560.24	3106709.43	CORNER POST

COORDINATES ARE TEXAS STATE PLANE, CENTRAL ZONE, NORTH AMERICAN DATUM 1983 (NAD83).

NO.	DATE	DR	CK	DESCRIPTION

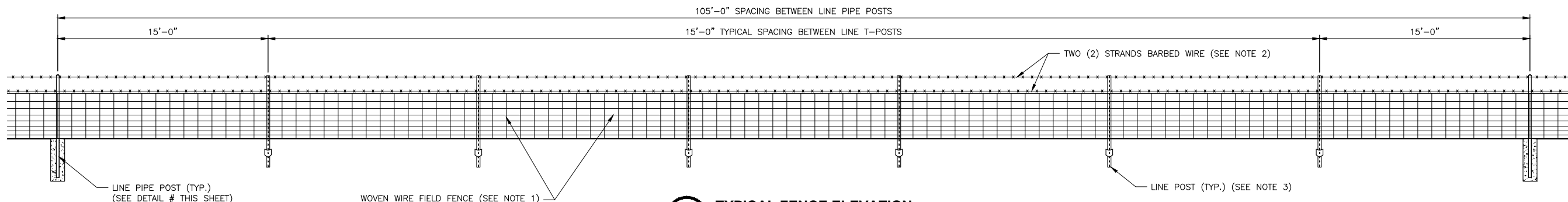
AECOM Technical Services Inc.
 9400 Amberglens Blvd
 Austin, Texas 78729
 www.aecom.com
 TBPE Reg. No. F-35680

Upper Brushy Creek Water Control
 and Improvement District
**FLOOD PREVENTION DAM NO. 8
 PERMANENT FENCING**

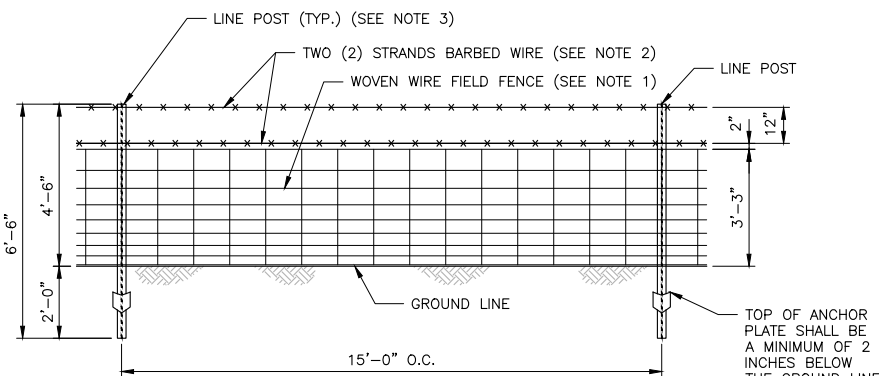
**FENCING PLAN
 SHEET 2 OF 2**

DESIGNED BY:	MJL
DRAWN BY:	CAD
REVIEWED BY:	GAF
APPROVED BY:	MJL
PROJECT NO.:	60642545
DATE:	5/26/2021
SCALE:	AS SHOWN
REVISION:	
SHEET NO.	3 OF 5

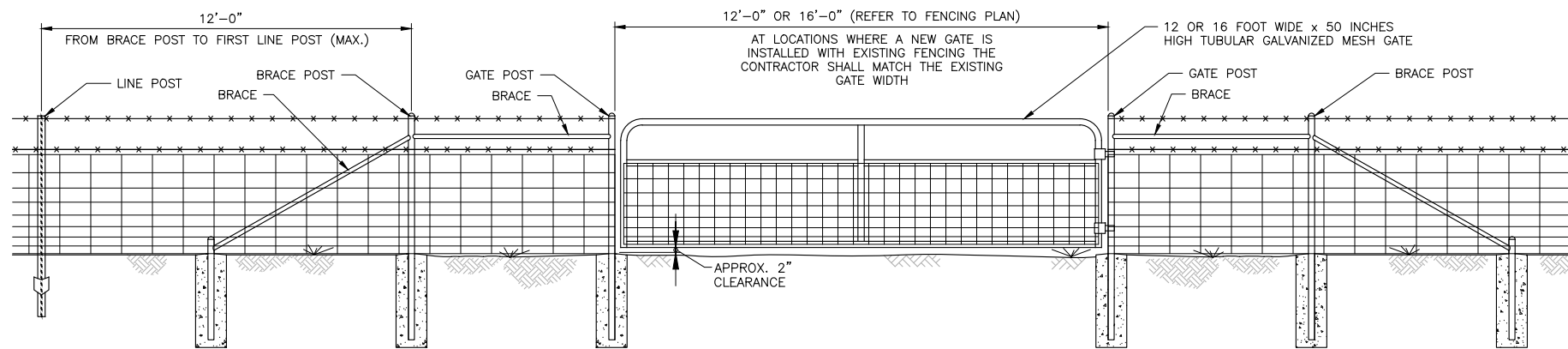
File: C:\Users\03961\Documents\Dam 8 Drawings\Plan Sheets\Dam 8 Fencing - 4 Fence Details.dwg Layout: 3 Fence Details Plotted: 5/27/2021 11:07:30 AM



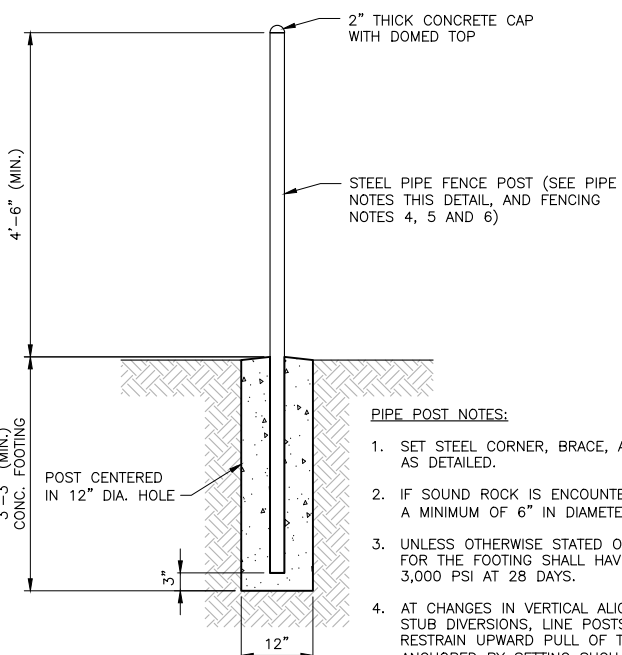
1 TYPICAL FENCE ELEVATION
SCALE: NTS



2 TYPICAL NET WIRE FENCE
SCALE: NTS

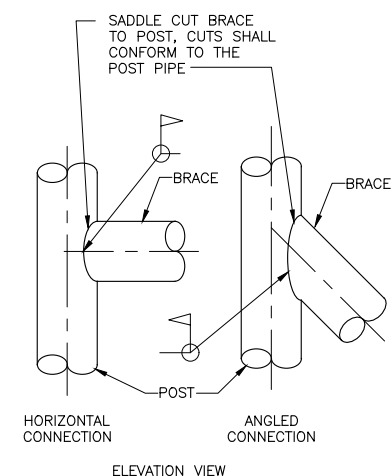


3 TYPICAL 16' GATE OPENING
SCALE: NTS



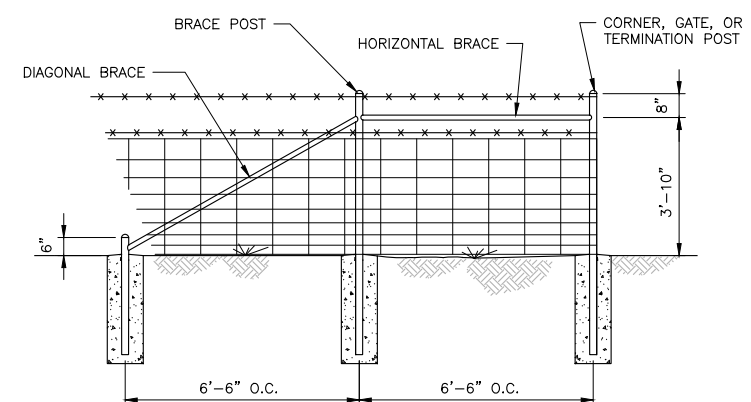
4 TYPICAL POST FOOTING AND CAP DETAIL
SCALE: NTS

- PIPE POST NOTES:**
1. SET STEEL CORNER, BRACE, AND GATE POSTS IN CONCRETE AS DETAILED.
 2. IF SOUND ROCK IS ENCOUNTERED, THE DRILL HOLE MAY BE A MINIMUM OF 6" IN DIAMETER.
 3. UNLESS OTHERWISE STATED OR APPROVED, THE CONCRETE FOR THE FOOTING SHALL HAVE A MINIMUM STRENGTH OF 3,000 PSI AT 28 DAYS.
 4. AT CHANGES IN VERTICAL ALIGNMENT, SUCH AS CROSSING OF STUB DIVERSIONS, LINE POSTS OR PULL PANEL POSTS THAT RESTRAIN UPWARD PULL OF THE FENCE STRANDS SHALL BE ANCHORED BY SETTING SUCH POST IN 18" OF CONCRETE. THE ENGINEER WILL DESIGNATE THE LOCATIONS WHERE THIS ANCHORAGE TREATMENT IS REQUIRED.



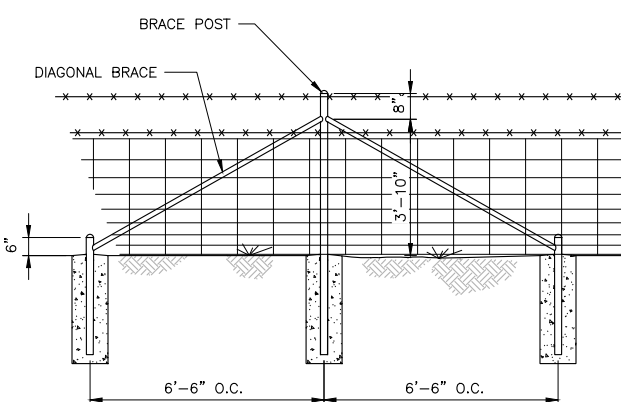
5 POST CONNECTION DETAILS
SCALE: NTS

- FENCING NOTES:**
1. NET WIRE FIELD FENCE SHALL BE "GAUCHO PRO", PART NO. 118158 AS MANUFACTURED BY BEKAERT, 39" HIGH, 9 HORIZONTAL STRANDS, 12" VERTICAL STAYS, 10.5 GA. TOP AND BOTTOM WIRE, 12.5 GA. FILLER WIRE, AND CLASS 3 GALVANIZED COATING, OR APPROVED EQUAL.
 2. BARBED WIRE SHALL BE "GAUCHO PRO", PART NO. 135137 AS MANUFACTURED BY BEKAERT WITH 2-POINT BARBS, 5" BARB SPACING, 14 GA. WIRE, AND CLASS 3 GALVANIZED COATING, OR APPROVED EQUAL.
 3. STEEL LINE T-POSTS SHALL MEET THE REQUIREMENTS OF ASTM A702. T-POSTS SHALL BE 6 FEET LONG MINIMUM, 1.33 LB. PER FOOT MINIMUM, STUDDED, AND PAINTED GREEN WITH TWO COATS OF PAINT.
 4. PIPE POSTS AND BRACES SHALL MEET THE REQUIREMENTS OF ASTM A500 OR ASTM A53, EXCEPT SECTION 8, HYDROSTATIC TEST SHALL NOT APPLY.
 5. GATE AND CORNER POSTS SHALL BE 3" DIAMETER NOMINAL PIPE SIZE (NPS). BRACE POSTS, ANCHOR POSTS, AND BRACES SHALL BE MIN. 2 1/2" NPS. ALL POSTS AND BRACES SHALL BE SCHEDULE 40 PIPE.
 6. ALL PIPE POSTS AND BRACES SHALL BE PAINTED PER ONE OF THE FOLLOWING METHODS AFTER INSTALLATION:



6 TYPICAL CORNER OR GATE OR TERMINATION PANEL
SCALE: NTS

- METHOD 1:**
- A. TREAT ALL EXPOSED PIPE WITH "OSHP0" RUST-INHIBITING COATING AS MANUFACTURED BY MARINE ENTERPRISES & SUPPLIES, INC., 24 YOUNG ROAD, KATONAH, NY 10536, 800-869-9048. APPLY PER MANUFACTURER'S RECOMMENDATIONS.
 - B. APPLY PAINT PRIMER
 - C. PAINT WITH JOHN DEERE GREEN OR SAME COLOR GREEN AS THE FENCE POSTS
- METHOD 2:**
- A. PAINT WITH DARK GREEN "HAMMERITE RUST CAP" SMOOTH ENAMEL FINISH, SELF-PRIMING, RUST PREVENTIVE COATING AS MANUFACTURED BY MASTERCHEM INDUSTRIES LLC, 3135 OLD HWY M, IMPERIAL, MO 63052, 800-325-3552. APPLY PER MANUFACTURER'S RECOMMENDATIONS.
- CONTRACTOR SHALL SUBMIT PAINTING PLAN FOR REVIEW AND APPROVAL PRIOR TO EXECUTION.
7. EXTRA T-POSTS OR BRACES MAY BE USED WHEN GROUND SLOPES LOW OR HIGH.



7 TYPICAL PULL PANEL
SCALE: NTS

8. USE FOUR (4) CLIPS TO ATTACH NET WIRE TO POSTS AND USE ONE (1) CLIP TO ATTACH EACH BARBED WIRE STRAND TO POSTS. TYPICAL AT ALL POSTS.
9. ALL DEMOLISHED EXISTING FENCING, AND ALL EXCESS NEW FENCING MATERIALS SHALL BE REMOVED FROM THE SITE.

NO.	DATE	DR	CK	DESCRIPTION

AECOM Technical Services Inc.
9400 Amberglent Blvd
Austin, Texas 78729
www.aecom.com
TBPE Reg. No. F-3580

Upper Brushy Creek Water Control and Improvement District
FLOOD PREVENTION DAM NO. 8 PERMANENT FENCING
FENCE DETAILS

DESIGNED BY:	MJL
DRAWN BY:	CAD
REVIEWED BY:	GAF
APPROVED BY:	MJL
PROJECT NO.:	60642545
DATE:	5/26/2021
SCALE:	NONE
REVISION:	
SHEET NO.	4 OF 5

